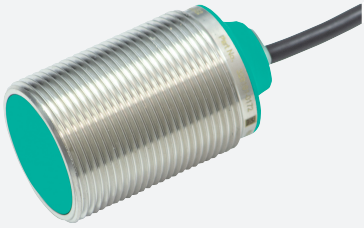


Inductive sensor

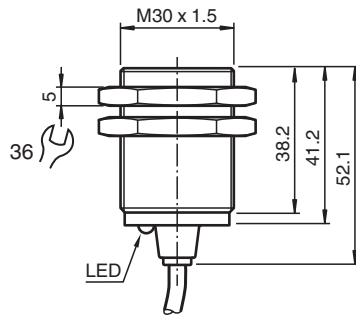
NBB15-30GM40-EU-M1



- 15 mm flush
- 0.5 / 4.5 VDC switching output for mobile equipment controls
- Raised EMC resistance 30 V/m
- Extended temperature range
-40 ... +85 °C
- Highly shock and vibration resistant
- With increased sealing, protection class
IP68 / IP69K



Dimensions



Technical Data

General specifications		
Output type		Digital voltage output
Rated operating distance	s_n	15 mm
Installation		flush
Output polarity		DC
Assured operating distance	s_a	0 ... 12.15 mm
Actuating element		mild steel, e. g. 1.0037, SR235JR (formerly St37-2) 45 mm x 45 mm x 1 mm
Reduction factor r_{Al}		0.45
Reduction factor r_{Cu}		0.4
Reduction factor r_{304}		0.7
Reduction factor r_{Brass}		0.5
Output type		3-wire
Nominal ratings		
Operating voltage	U_B	7 ... 30 V DC
Switching frequency	f	0 ... 500 Hz
Hysteresis	H	2 ... 15 %

Release date: 2022-07-19 Date of issue: 2022-07-19 Filename: 70128600_eng.pdf

Refer to "General Notes Relating to Pepperl+Fuchs Product Information".

Pepperl+Fuchs Group
www.pepperl-fuchs.com

USA: +1 330 486 0001
fa-info@us.pepperl-fuchs.com

Germany: +49 621 776 1111
fa-info@de.pepperl-fuchs.com

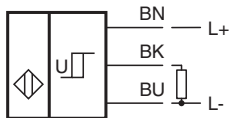
Singapore: +65 6779 9091
fa-info@sg.pepperl-fuchs.com

PEPPERL+FUCHS

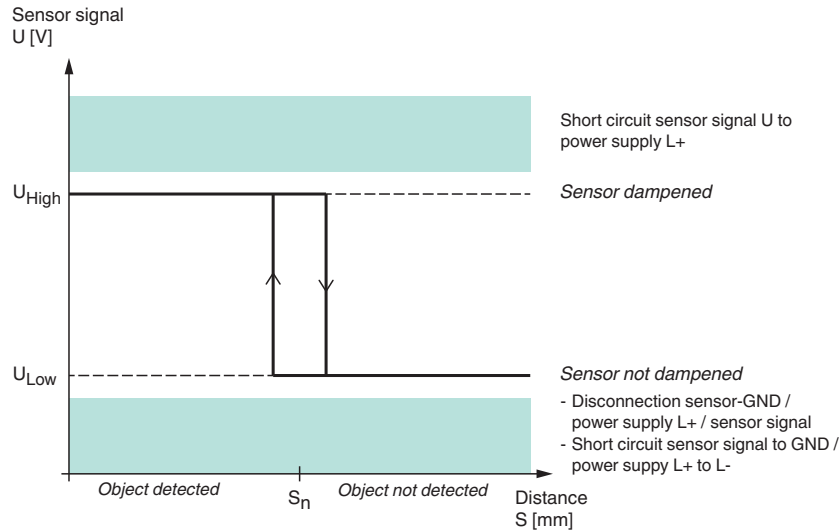
Technical Data

Reverse polarity protection		reverse polarity protected
Short-circuit protection		yes
Temperature drift		≤ 10 %
No-load supply current	I_0	≤ 15 mA
Time delay before availability	t_v	≤ 100 ms
Load resistor		min. 20 kΩ
Switching state indicator		LED, yellow
Digital output		
Output value		object detected: 4.5 V ± 0.2 V object not detected: 0.5 V ± 0.2 V
Compliance with standards and directives		
Standard conformity		
Standards		EN 60947-5-2:2007 EN 60947-5-2/A1:2012 IEC 60947-5-2:2007 IEC 60947-5-2 AMD 1:2012
Ambient conditions		
Ambient temperature		-40 ... 85 °C (-40 ... 185 °F)
Storage temperature		-40 ... 85 °C (-40 ... 185 °F)
Mechanical specifications		
Connection type		cable
Housing material		brass , white bronze coated
Sensing face		PBT , green
Degree of protection		IP68 / IP69K
Cable		
Cable diameter		6 mm ± 0.2 mm
Bending radius		> 10 x cable diameter
Material		TPE
Color		black
Number of cores		3
Core cross section		0.75 mm ²
Length	L	2 m
General information		
Scope of delivery		2 self locking nuts in scope of delivery

Connection



Operation



Technical Features

Mains-borne interference in accordance with ISO 7637-2:

Pulse	1	2a	2b	3a	3b	4
Severity level	III	III	III	III	III	III
Failure criterion	A	A	C	A	A	C

EN 61000-4-2: CD: 8 kV / AD: 15 kV
Severity level IV IV

EN 61000-4-3: 36 V/m (80...2500 MHz)
Severity level IV

EN 61000-4-4: 2 kV
Severity level III

EN 61000-4-6: 30 V (0.01...80 MHz)
Severity level III

EN 55011: Class A

Accessories

	BF 30	Mounting flange, 30 mm
---	--------------	------------------------

Release date: 2022-07-19 Date of issue: 2022-07-19 Filename: 70128600_eng.pdf